

100AG

Product Information



100AG

100mm wide Architectural Stainless Steel grate with PVC channel

Product Description

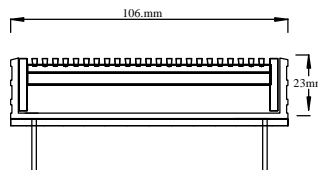
This innovative product removes water from the trench along its length using one or more outlets, improving efficiency of the drain, removing far larger quantities of water than would otherwise be possible.

When large format tiles are selected, Stormtech is an essential component, as it removes the need to crosscut the tiles.

When used in bathrooms, particularly shower areas the slope of the floor can be made into a uniform direction, without the multiple fall required when using central floor drains. This increases safety significantly by allowing the use of non-slip tiles, reducing the amount of water pooling on the floor surface and removing the need for steps, hobs and frames, thus reducing trip hazards.

The 316 stainless steel grate provides a prestige finish with design flexibility to allow it to be used in contemporary or classic styles.

Product Diagram



Product Applications

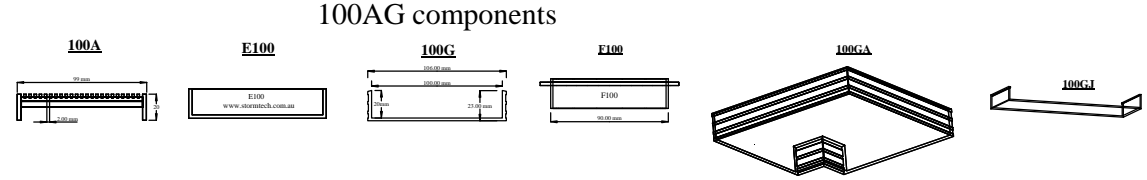
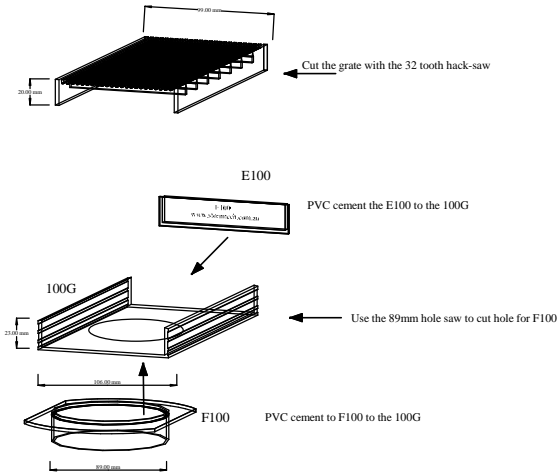
- Bathrooms
- Suspended Slabs and Balconies
- Thresholds and Doortracks
- Driveways
- Pools and Paved Areas
- Patios, Courtyards and Terraces
- Commercial Applications and Large Scale Projects
- Special Needs Access

Pages:

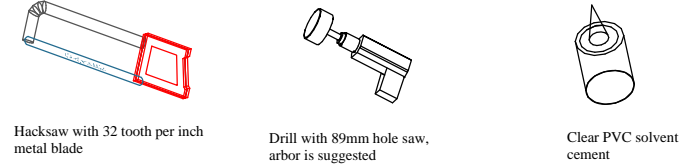
- 1, assembly instruction
- 2, installation - timber substrate
- 3, installation - concrete substrate
- 4, installation - bathroom
- 5, installation - threshold
- 6, installation - against wall

<http://www.stormtech.com.au/100ag.html>

100AG Assembly Instructions



Specific tools required



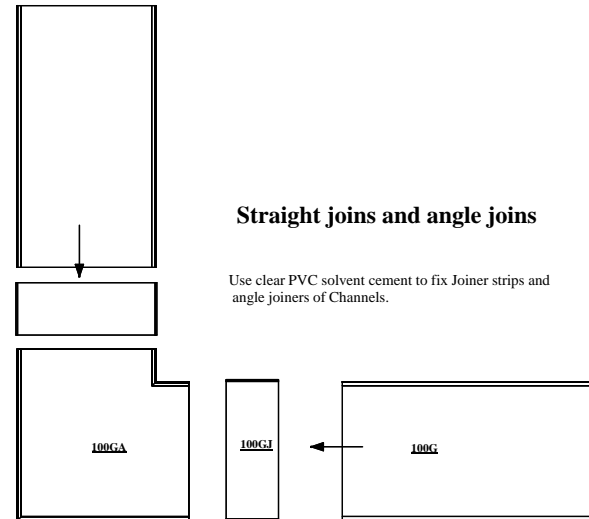
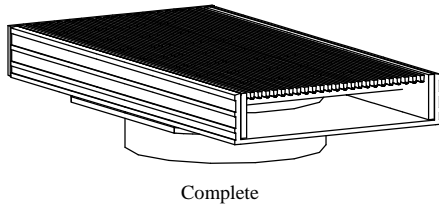
STEP 1 Cut the 100G channel to size. When measuring allow 5mm less for the E100 stop ends to fit, ie if 900mm is required, cut channel to 895mm.

STEP 2 Fit the E100 stop ends to the ends of the channel. Use the Clear PVC solvent cement to fix, ensure a tight fit with no gaps.

STEP 3 Cut outlet hole. Use an 89mm holesaw, with arbor to cut a hole in the base of the 100G channel. This hole should preferably be in the centre, however some offset is possible.

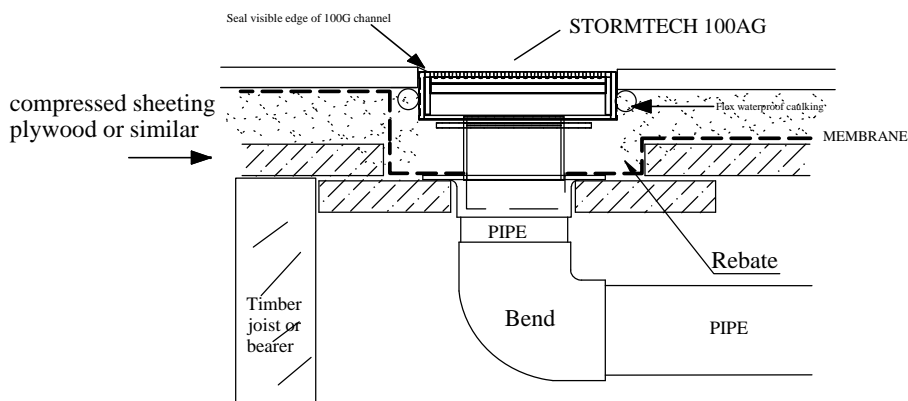
STEP 4 Fix the F100 to the underside of the 100G with Clear PVC solvent cement. Ensure clean fit into channel.

STEP 5 Cut the 100A grate to size. Use the 32 tooth hacksaw and cut by hand. Ensure cut is square. Gently file back rough edges for safety. NOTE, cut grate 2mm shorter than inside dimension of channel to ensure easy removal for cleaning.



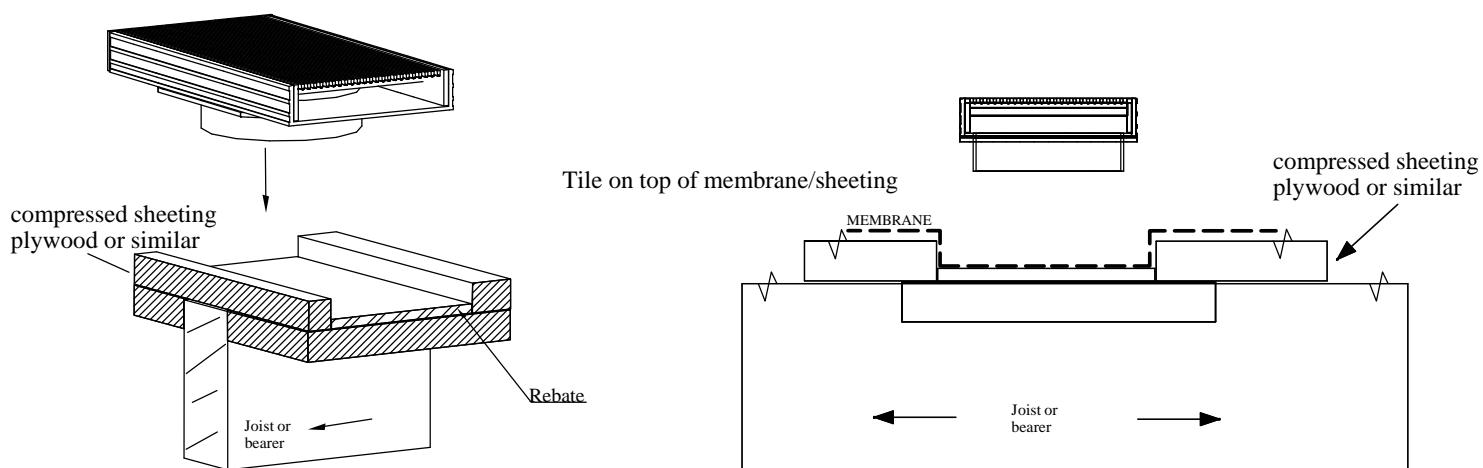
100AG TIMBER FLOOR/DECK Standard installation

When 100AG is running parrallel to joist/bearer



Provide access to drain pipes for cleaning

When 100AG is running perpendicular to joist/bearer



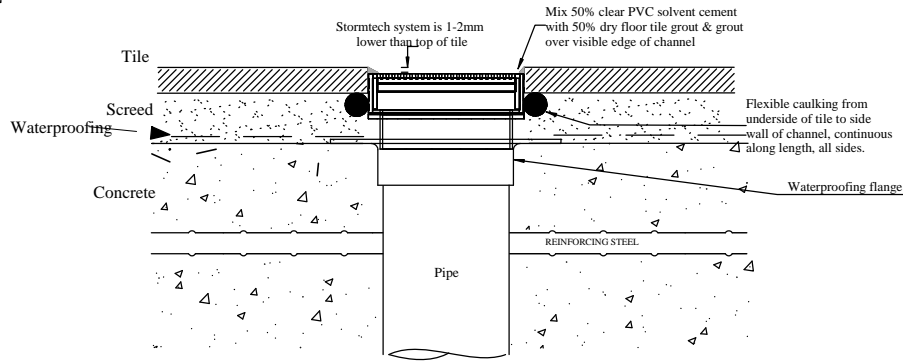
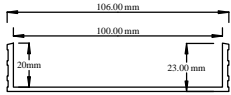
NOTE if waterproofing is required the rebate must be waterproofed before laying the 100AG system.

An F100 spigot fits in a 100 DWV pipe and should drain 1.0 L/s..... We recommend these Spigots every 2m.. not more than 1.0m from end. The loose fitting Spigots provide an outlet for moisture in the waterproof rebate and allows the Channel to be removed for safe keeping until tiling.

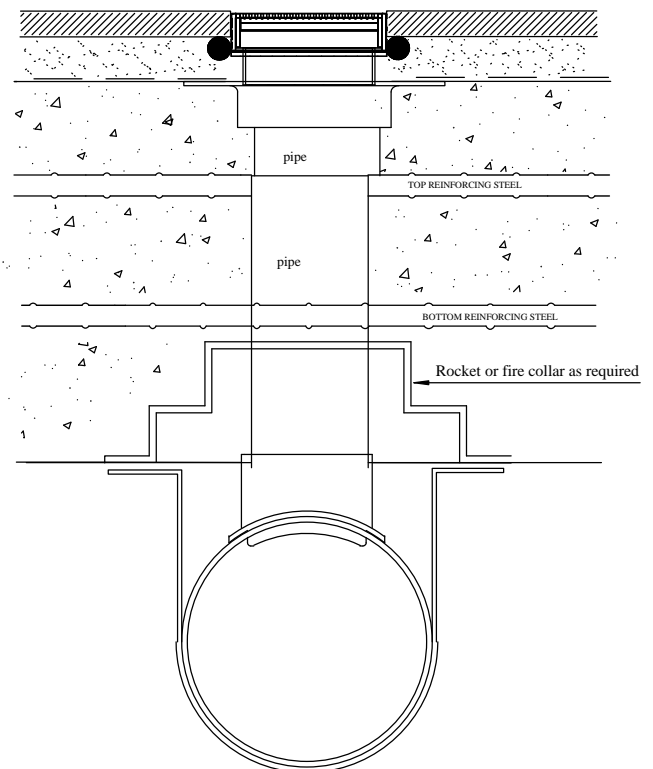
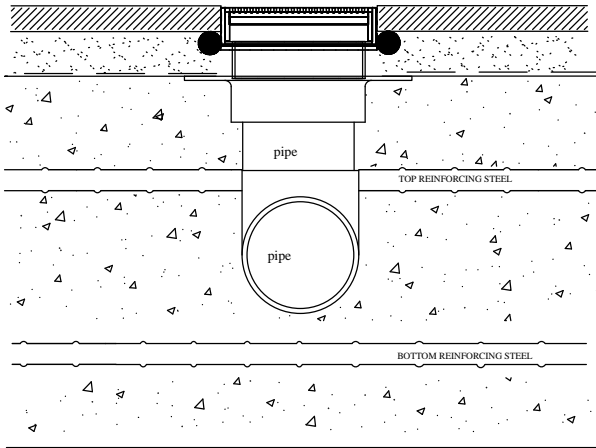
100AG CONCRETE FLOOR/DECK

Standard installation

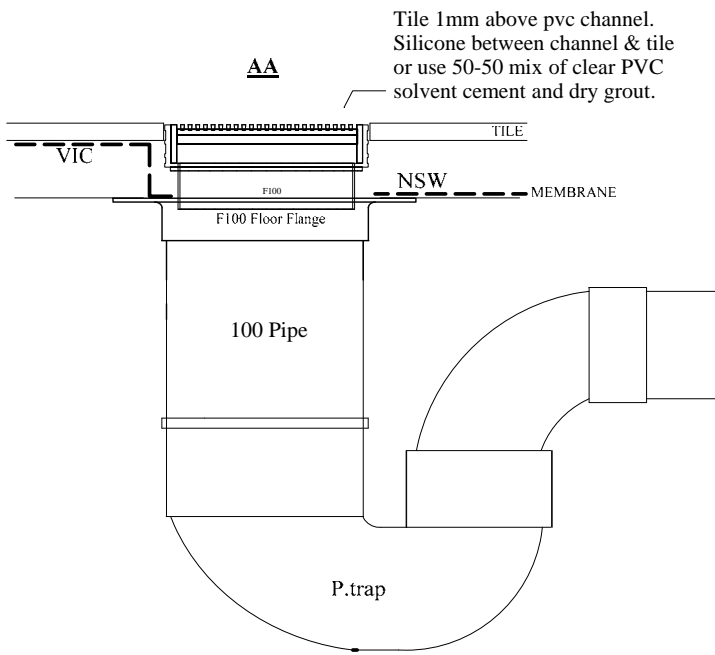
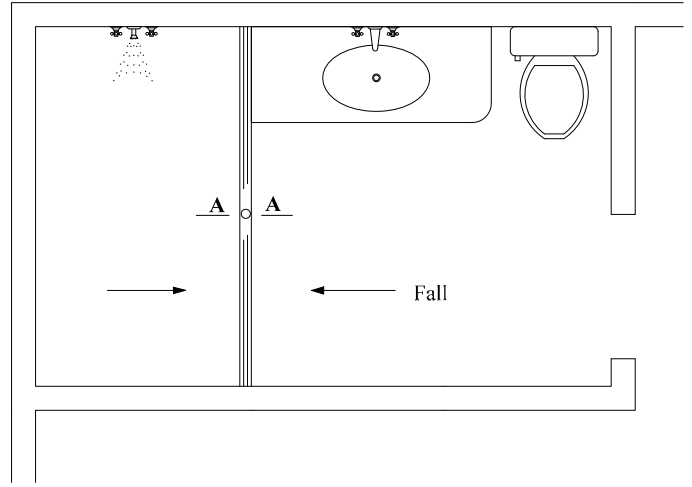
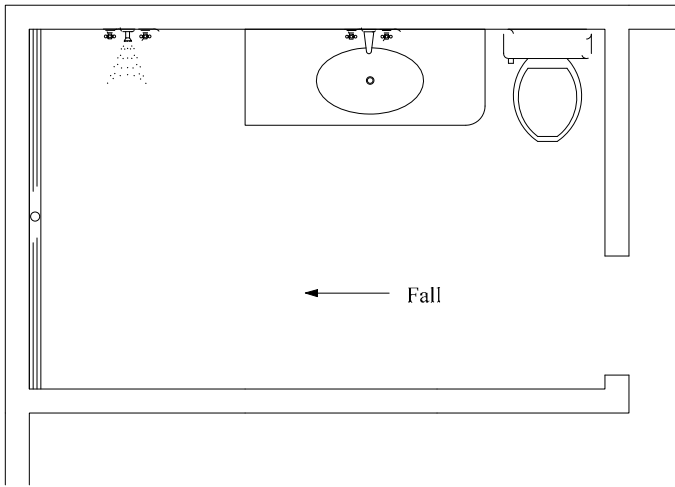
Slab on ground.



Suspended Slab



An F100 spigot fits in a 100 DWV pipe and should drain 1.0 L/s..... We recommend these Spigots every 2m.. not more than 1.0m from end.
The loose fitting Spigots provide an outlet for moisture in the waterproof rebate and allows the Channel to be removed for safe keeping until tiling.



This design conforms with Plumbing Code AS/NZS 3500. The loose fitting spigot provides an outlet for moisture in the waterproof rebate and allows the Channel to be removed for safe keeping until tiling.

The F100 spigot should drain over 1 litre per second. A bathroom tap delivers 0.3 l/s approx.

STORMTECH
100AG

Drill 89mm hole and glue Spigot to bottom of Channel with clear PVC solvent cement.
Fix stop ends (E100's) with same glue.
When cutting grate, use a 32 tooth per inch hacksaw, & cut by hand. DO NOT use a grinder, cutoff saw etc.

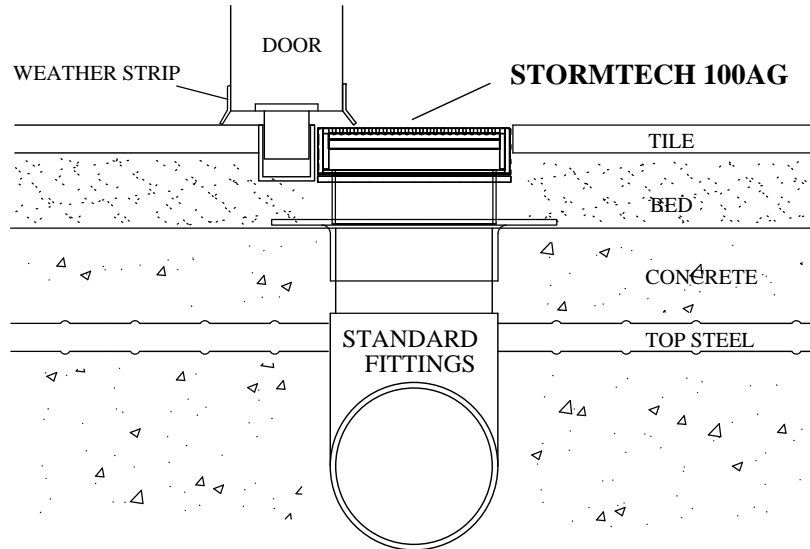
Install the P.trap & fittings as per the Plumbing Code of Australia AS3500.

STORMTECH Pty Ltd

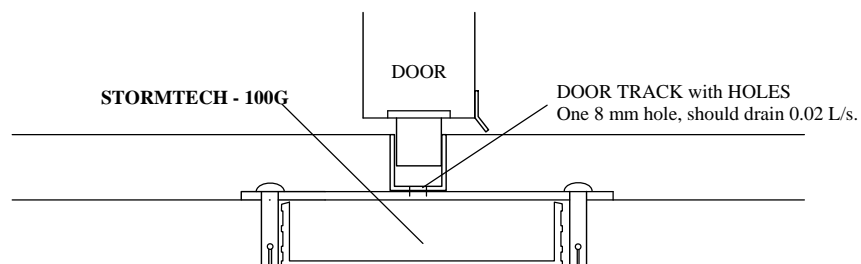
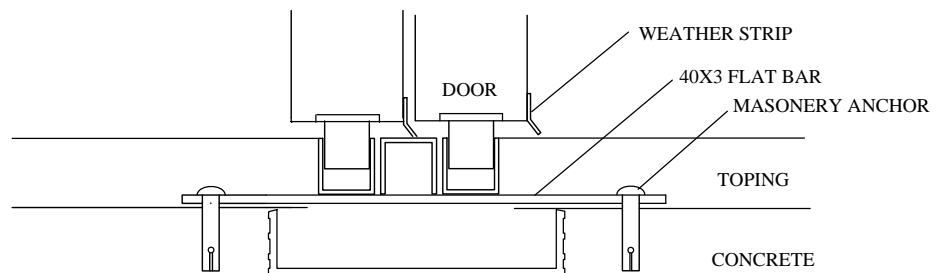
Architectural grates & drains

www.stormtech.com.au

THRESHOLD



Provide access to drain pipes for cleaning.



Suggested designs only.
Stormtech only supply the PVC drains.

(Patent 733361)

NOTE, all information remains the intellectual property of Stormtech Pty Ltd. This information is for reference only, no liability is accepted for any use of this information.

100AG Against Wall

