

## 65AG Product Information

<http://www.stormtech.com.au/65ag.html>



### 65AG

65mm Architectural Stainless Steel grate with PVC channel

#### Product Description

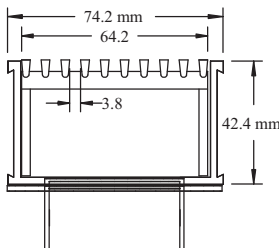
This innovative product removes water from the trench along its length using one or more outlets, improving efficiency of the drain, removing far larger quantities of water than would otherwise be possible.

When large format tiles are selected, Stormtech is an essential component, as it removes the need to crosscut the tiles.

When used in bathrooms, particularly shower areas the slope of the floor can be made into a uniform direction, without the multiple fall required when using central floor drains. This increases safety significantly by allowing the use of non-slip tiles, reducing the amount of water pooling on the floor surface and removing the need for steps, hobs and frames, thus reducing trip hazards.

The 316 stainless steel grate provides a prestige finish with design flexibility to allow it to be used in contemporary or classic styles.

Product Diagram



#### Product Applications

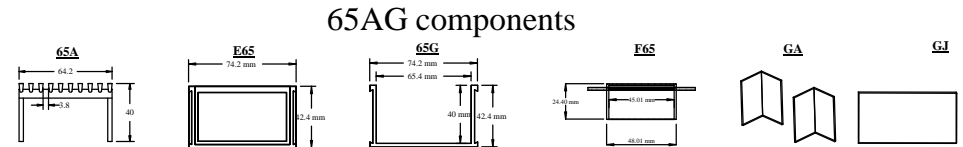
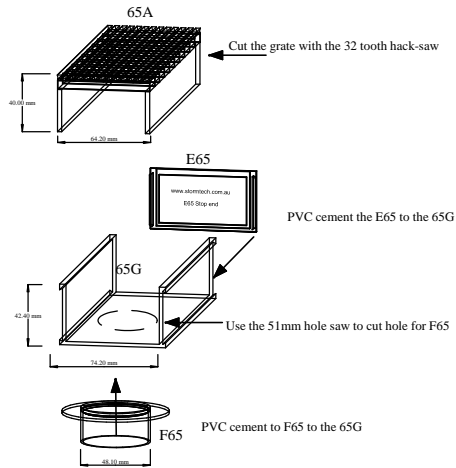
- Bathrooms
- Suspended Slabs and Balconies
- Thresholds and Doortracks
- Driveways
- Pools and Paved Areas
- Patios, Courtyards and Terraces
- Commercial Applications and Large Scale Projects
- Special Needs Access

#### Pages:

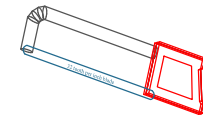
1. assembly instruction
2. installation - timber substrate
3. installation - concrete substrate
4. installation - bathroom
5. installation - threshold
6. installation - against wall



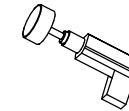
## 65AG Assembly Instructions



### Specific tools required



Hacksaw with 32 tooth per inch metal blade



Drill with 51mm or 2" hole saw, arbor is suggested



Clear PVC solvent cement

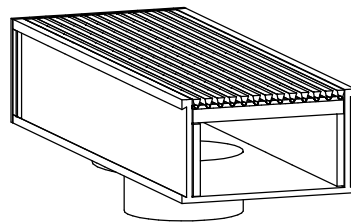
**STEP 1** Cut the 65G channel to size. When measuring allow 5mm less for the E65 stop ends to fit, ie if 900mm is required, cut channel to 895mm.

**STEP 2** Fit the E65 stop ends to the ends of the channel. Use the Clear PVC solvent cement to fix, ensure a tight fit with no gaps.

**STEP 3** Cut outlet hole. Use a 51mm holesaw, with arbor to cut a hole in the base of the 65G channel. This hole should preferably be in the centre, however some offset is possible.

**STEP 4** Fix the F65 to the underside of the 65G with Clear PVC solvent cement. Ensure clean fit into channel.

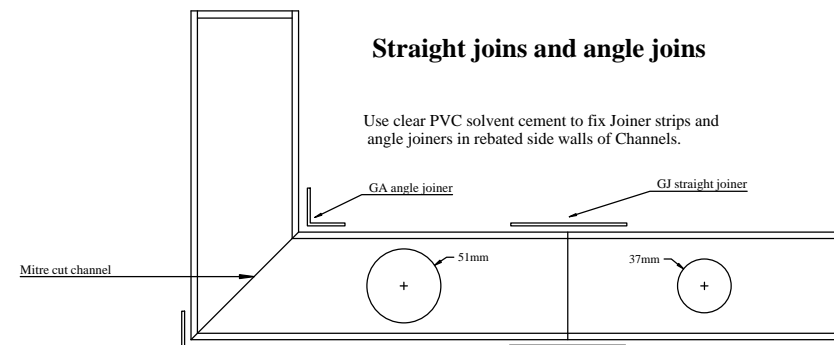
**STEP 5** Cut the 65A grate to size. Use the 32 tooth hacksaw and cut by hand. Ensure cut is square. Gently file back rough edges for safety. **NOTE**, cut grate 2mm shorter than inside dimension of channel to ensure easy removal for cleaning.



Complete

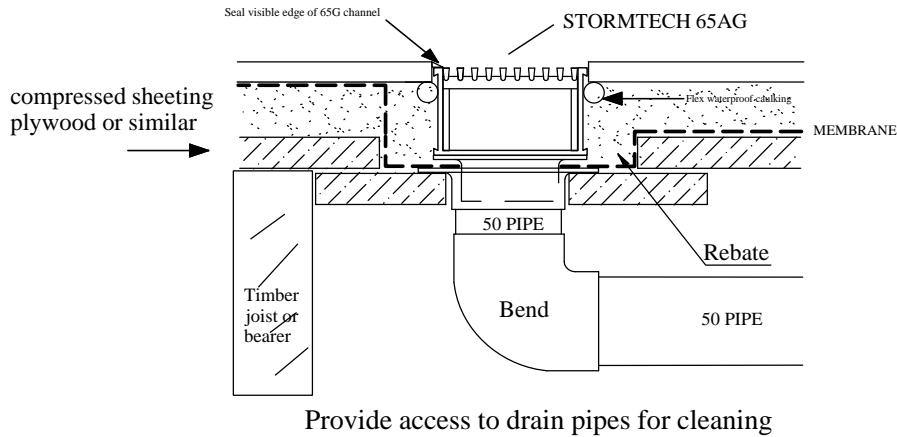
### Straight joins and angle joins

Use clear PVC solvent cement to fix Joiner strips and angle joiners in rebated side walls of Channels.

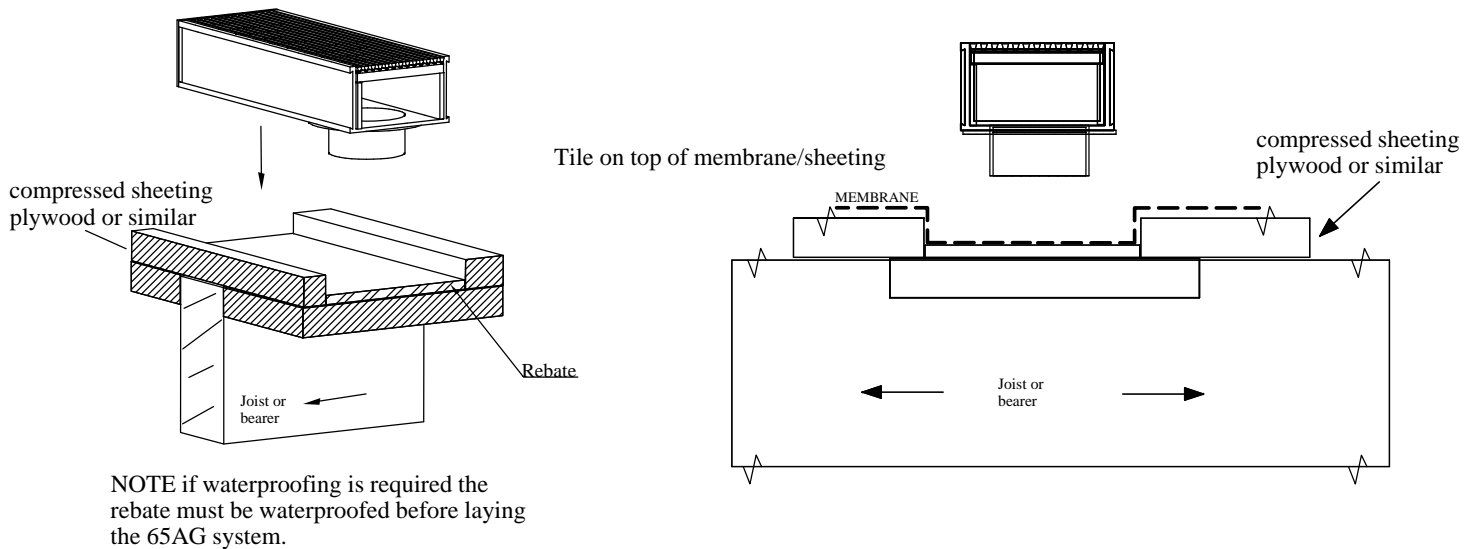


# 65AG TIMBER FLOOR/DECK Standard installation

## When 65AG is running parallel to joist/bearer



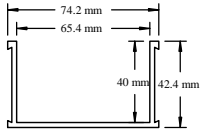
## When 65AG is running perpendicular to joist/bearer



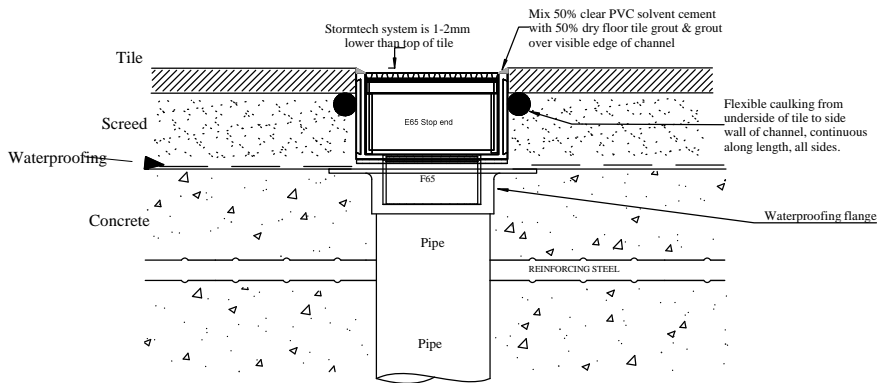
An F65 spigot fits in a 50 DWV pipe and should drain 1.0 L/s..... We recommend these Spigots every 2m.. not more than 1.0m from end.  
The loose fitting Spigots provide an outlet for moisture in the waterproof rebate and allows the Channel to be removed for safe keeping until tiling.

# 65AG CONCRETE FLOOR/DECK

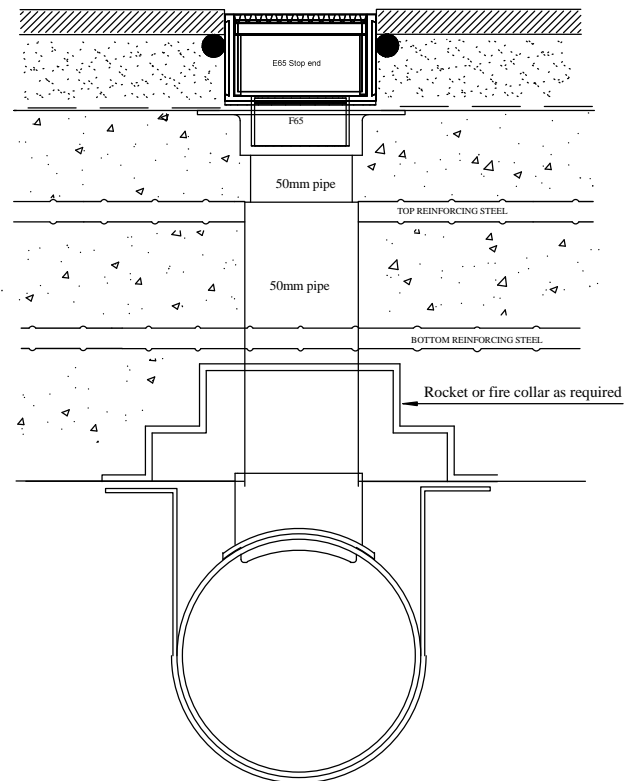
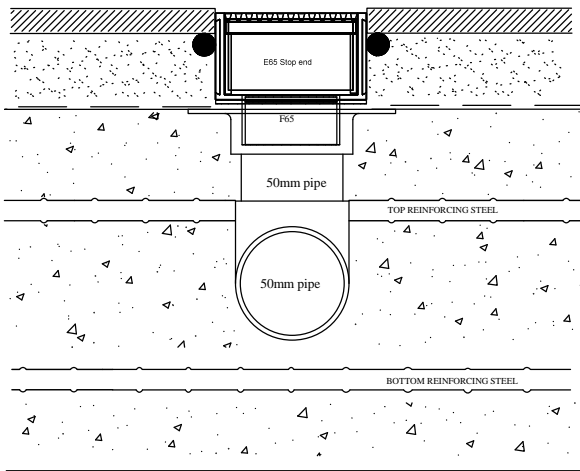
## Standard installation



### Slab on ground.



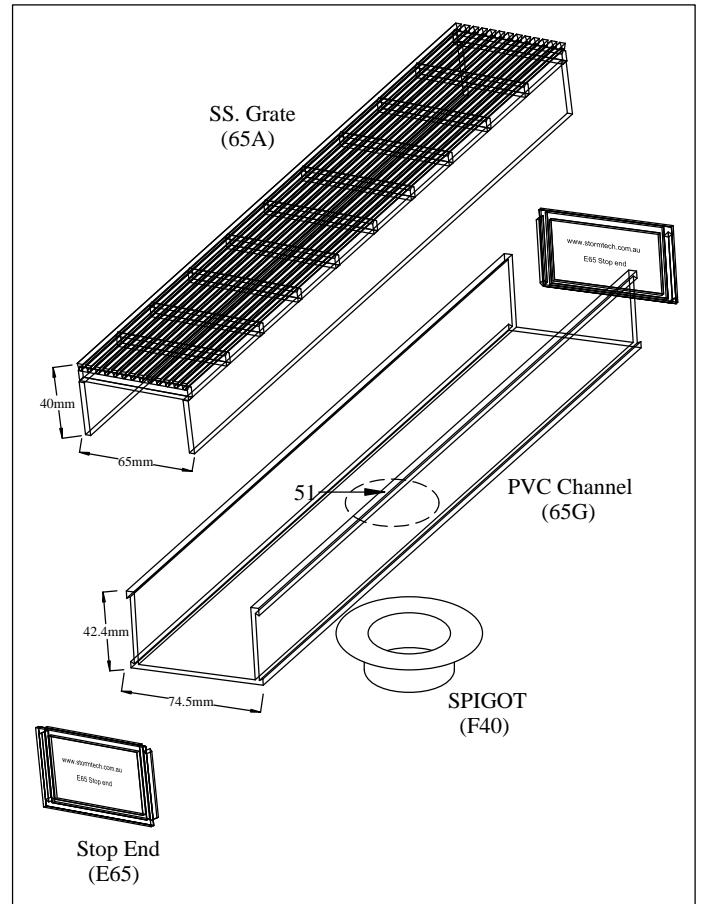
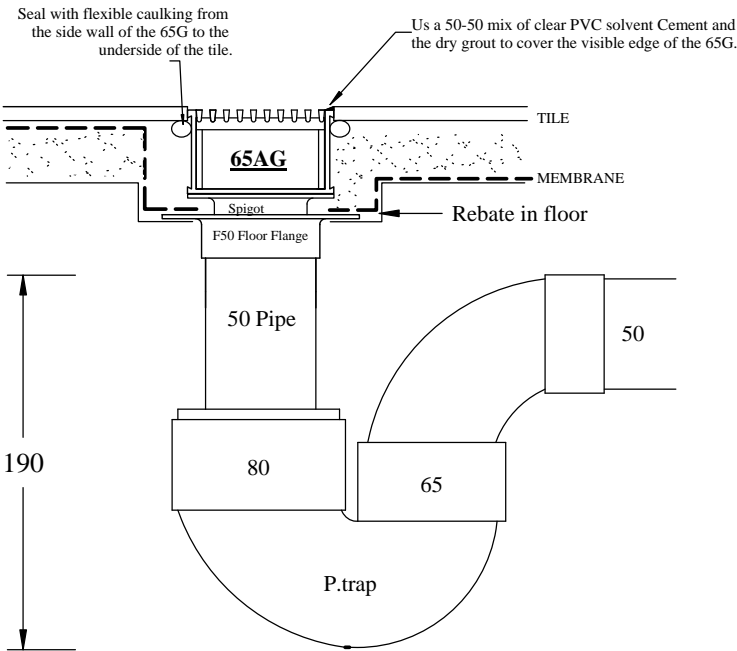
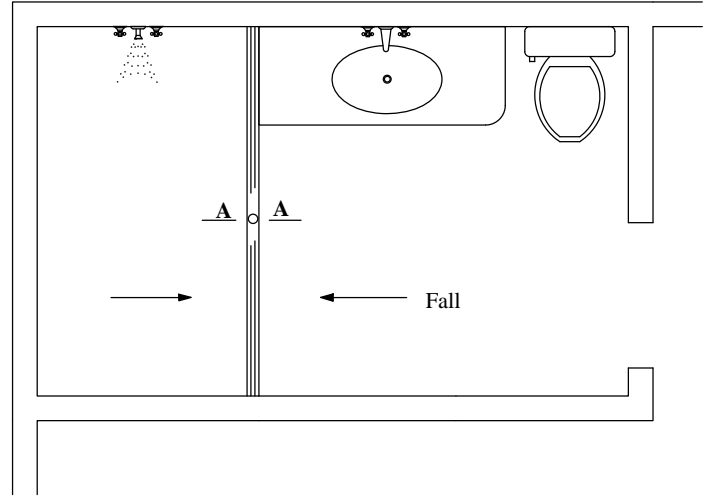
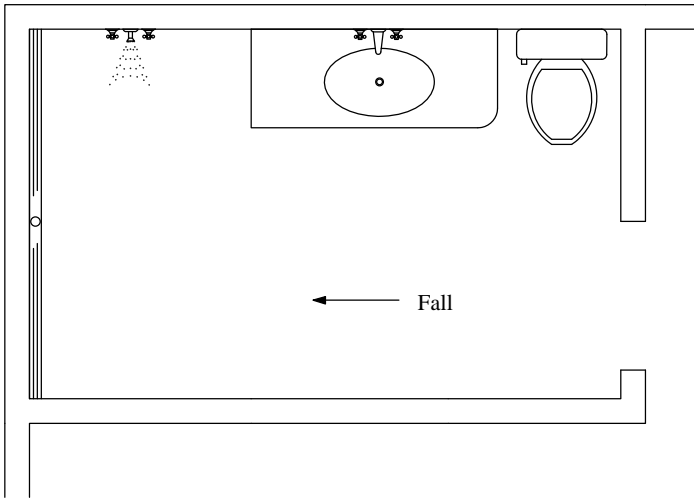
### Suspended Slab



An F65 spigot fits in a 50 DWV pipe and should drain 1.0 L/s..... We recommend these Spigots every 2m.. not more than 1.0m from end.  
The loose fitting Spigots provide an outlet for moisture in the waterproof rebate and allows the Channel to be removed for safe keeping until tiling.

# BATHROOM 65AG

www.stormtech.com.au



This design conforms with Plumbing Code AS3500

The loose fitting Spigot provides an outlet for moisture in the waterproof rebate and allows the Channel to be removed for safe keeping until tiling.

The F40 Spigot fits in a 50DWV pipe and should drain 1 L/s

One bathroom tap delivers 0.3 litres/sec maximum.



Drill 51mm hole and glue Spigot to bottom of Channel with clear PVC solvent cement.

Install the P.trap & fittings as per the Plumbing Code of Australia AS3500.

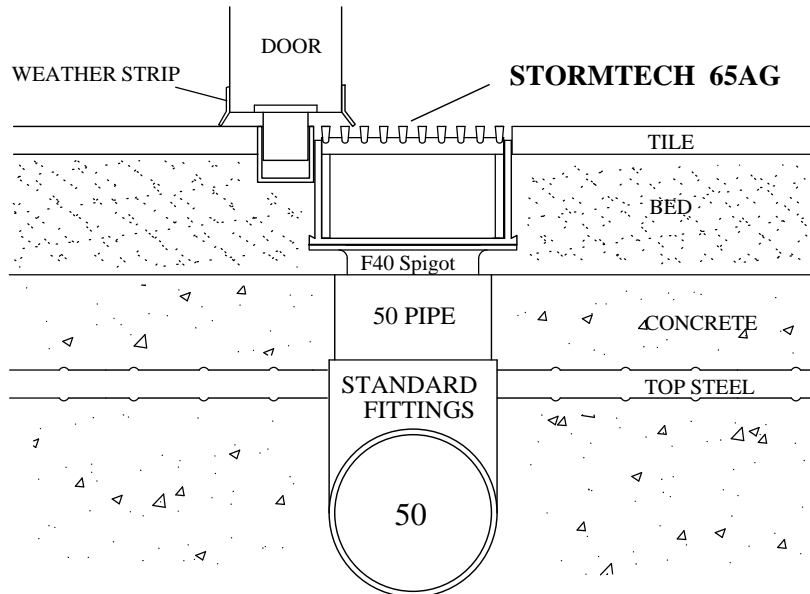
Patent 733361.

# STORMTECH Pty Ltd

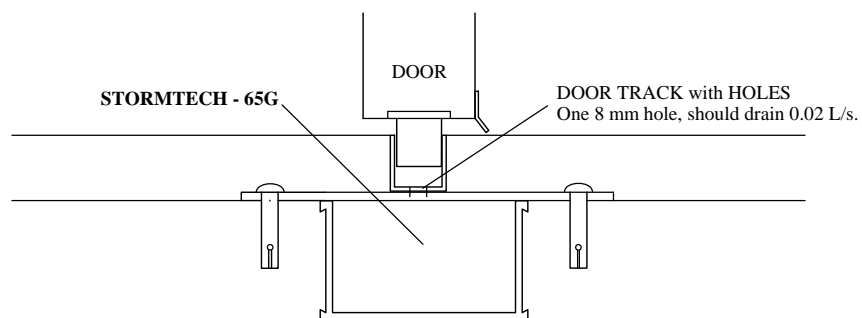
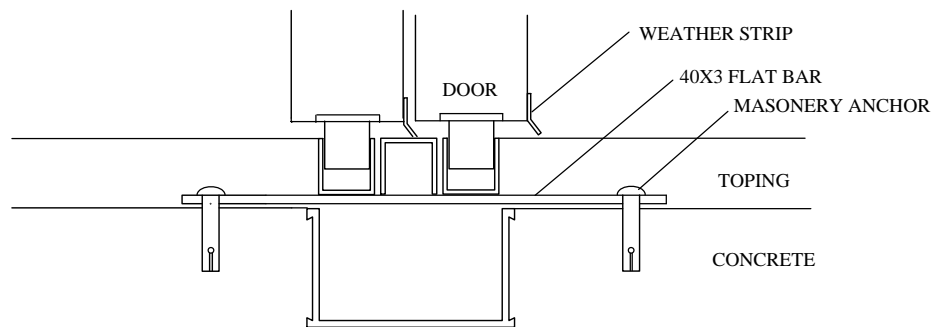
## Architectural grates & drains

www.stormtech.com.au

### THRESHOLD



**Provide access to drain pipes for cleaning.**

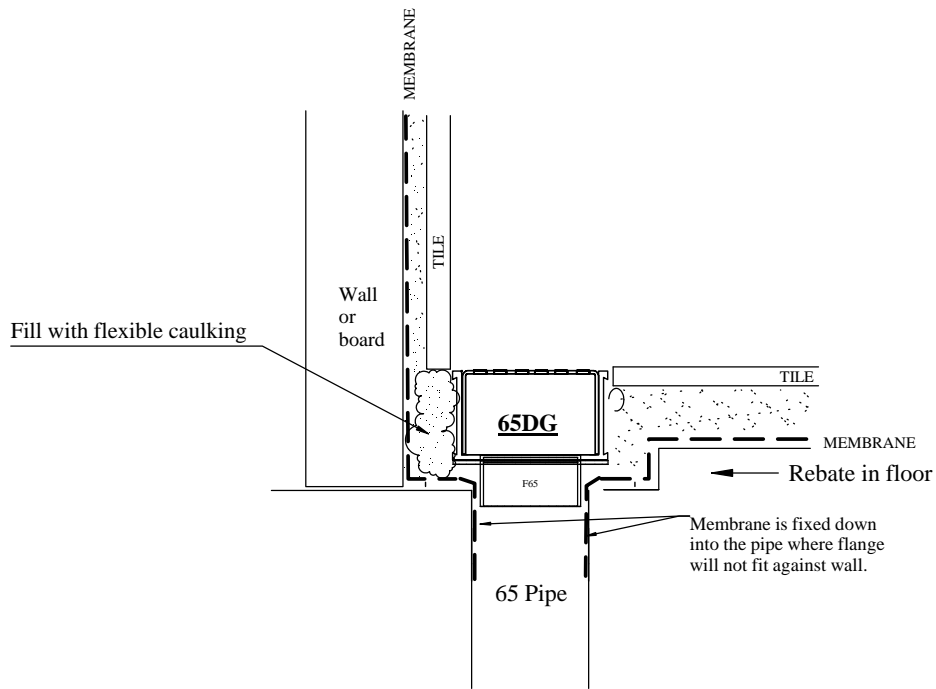


Suggested designs only.  
Stormtech only supply the PVC drains.

( Patent 733361 )

NOTE, all information remains the intellectual property of Stormtech Pty Ltd. This information is for reference only, no liability is accepted for any use of this information.

## 65DG Against Wall



# STORMTECH Pty Ltd

## Architectural Grates and Drains

### Product Care.

Stormtech use high quality stainless steel in the fabrication of our grates.

Care of the product is easy, simply remove the grates periodically, ie every three to six months and remove collected debris, and clear out the channel.

If in a severe environment the grate shows signs of staining most stainless steel cleaner/protector products will remove it.

Stainless steel is tough, but not magic. Without regular maintenance it will not stay in prime condition.

47 Tallais Close  
Worrige NSW 2540  
Ph. 02 4423 1989  
Fax. 02 4423 5552  
e-mail: [info@stormtech.com.au](mailto:info@stormtech.com.au)  
[www.stormtech.com.au](http://www.stormtech.com.au)