



Threshold drain - Premium

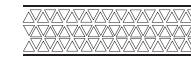
Order Form




Grates


 Architectural (AR)

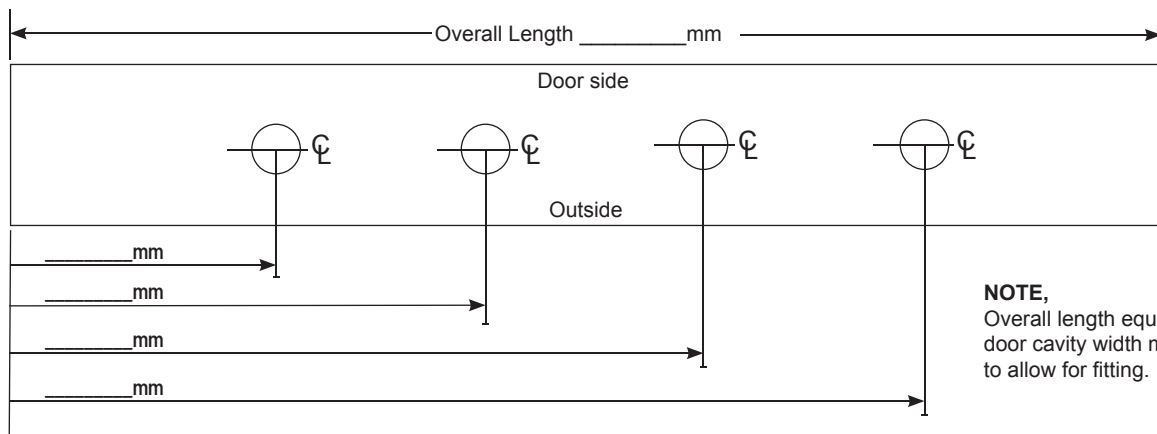
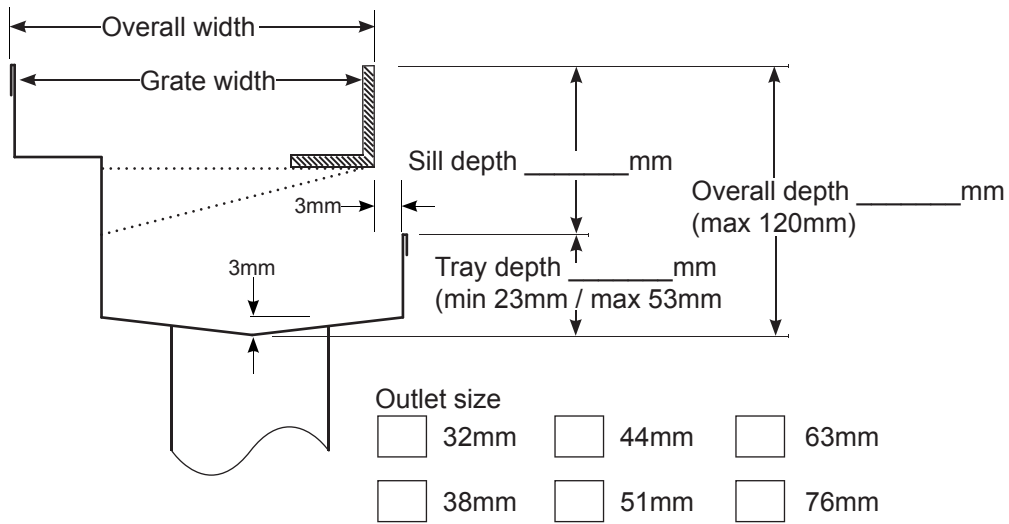

 Punched Slot (PS)


 Marc Newson (MND)

Tile Insert


 Ti

- | | | |
|--|--------------------------------------|-----------------------|
| <input type="checkbox"/> 65mm Tile Insert | <input type="checkbox"/> 65mm Grate | Overall width = 74mm |
| <input type="checkbox"/> 100mm Tile Insert | <input type="checkbox"/> 100mm Grate | Overall width = 109mm |



NOTE,
Overall length equals door cavity width minus 4mm to allow for fitting.

| | | |
|----------------------|----------------------|----------------------|
| Name | Email | |
| <input type="text"/> | <input type="text"/> | |
| Customer name/job | Branch | S/tech quote # |
| <input type="text"/> | <input type="text"/> | <input type="text"/> |
| Order number | Signature & date | |
| <input type="text"/> | <input type="text"/> | |

Fax to 02 44235552 or email to info@stormtech.com.au

