



**THE  
WONDERCAP  
COMPANY** PTY LTD

**INSTRUCTION MANUAL**

**Please note: Ensure you read this installation guide before commencing work**

Patents held in Australia, New Zealand, the United States of America and Europe

Australia Patent No 779246

New Zealand Patent No 518648

United States of America Patent No 6,799,606 B1

European Patent No 1222339

Australia Registered Trade Mark No 1104156

Complies with Watermark Standard ATS5200.040:2005

Watermark Lic No WMKT21298

The Wondercap drainage system is manufactured from ABS and Recycled Polypropylene and tested to conform to Australian Standard MP52 Spec 40



A member of:



**Master  
Builders**





## Installation Guide

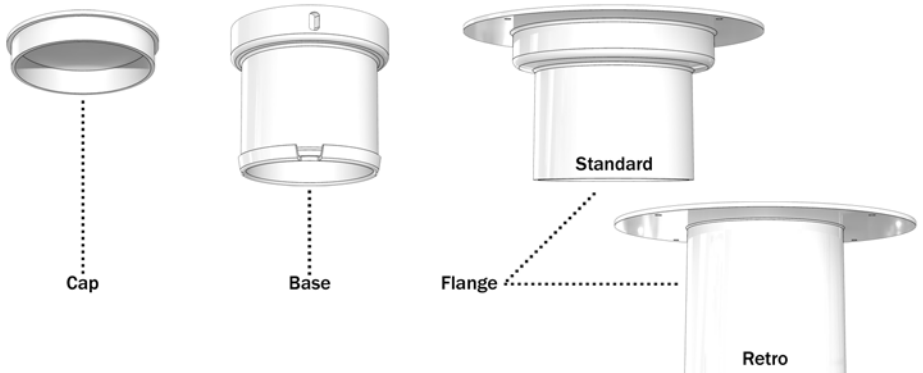
Wondercap Kit - Pre-Concrete Pour.....	1
Wondercap Kit - Timber Floor.....	2
Wondercap Retro Kit - Renovations / After Concrete Pour.....	3
Wondercap Retro Kit - Timber Floor.....	4

## Waterproofing Guide

Wondercap Kit.....	5
Wondercap Retro Kit.....	6

## Tiling Guide

Option 1.....	7
Option 2.....	8



# Installing the Wondercap Kit

## Pre-Concrete Pour



1. Cut drainage pipe so that the Wondercap flange is 10mm below the desired slab level
2. Prime and solvent weld the flange tail to the drainage pipe
3. Ensure the foam ring is around the base and set in the flange before the slab pour



4. Pour concrete slab and screed a smooth fall to the Wondercap. Clean the top of the flange with a damp sponge for waterproofing membrane adherence. (see page 5)



## Installing the Wondercap Kit Timber Floor



1. Cut a 135mm diameter hole in timber above the drainage pipe
2. Rout a 3mm deep x 34mm wide recess around the cut hole
3. Ensure the flange sits flush with the floor



4. Prime and solvent weld the flange tail into the drainage pipe and secure the flange with 4 counter-sunk screws

# Installing the Wondercap Retro Kit Renovations / After Concrete Pour



1. Cut the drainage pipe to slab level. Grind a 3mm deep x 50mm wide recess around the drainage pipe for best results



2. Clean, prime and solvent weld the flange tail into the drainage pipe





## Installing the Wondercap Retro Kit Timber Floor



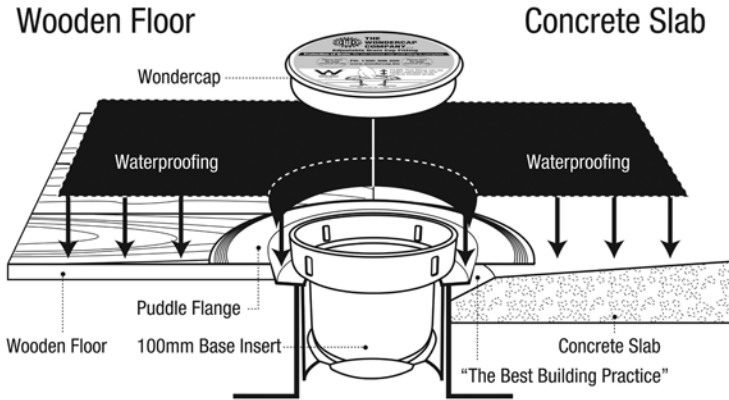
1. Cut the drainage pipe to floor level.  
Rout a 3mm deep x 50mm wide recess around the pipe for best results.



2. Clean, prime and solvent weld the flange tail into the drainage pipe  
and secure the flange with 4 counter-sunk screws

# Waterproofing Guide

## Wondercap Kit



1. Clean and prepare the surface ready for waterproofing
2. Apply the waterproofing membrane as per manufacturers instructions and requirements
3. Apply the waterproofing membrane over the lip and into the recess

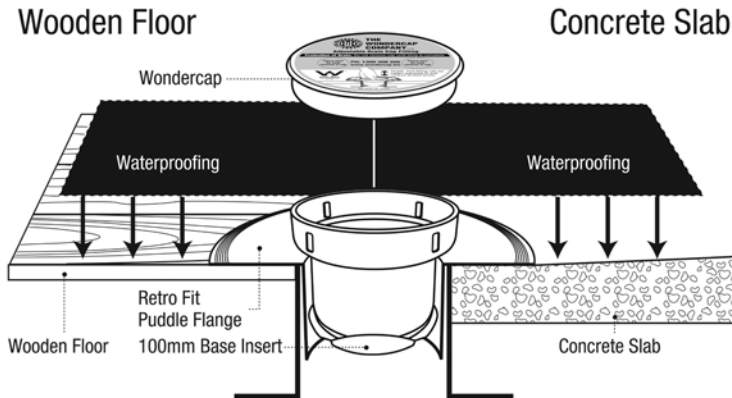
**WARNING: DO NOT APPLY WATERPROOFING MEMBRANE DOWN DRAINAGE PIPE**





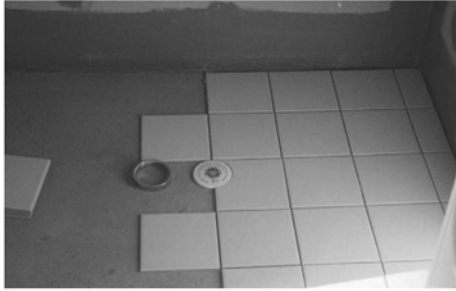
# Waterproofing Guide

## Wondercap Retro Kit

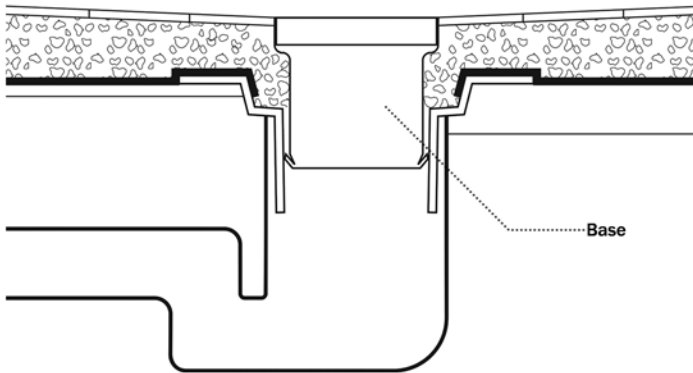


1. Clean and prepare the surface ready for waterproofing
2. Apply the waterproofing membrane as per manufacturers instructions and requirements
3. Apply the waterproofing membrane to the dotted line indicated on the flange

**WARNING: DO NOT APPLY WATERPROOFING MEMBRANE DOWN DRAINAGE PIPE**



1. Raise the base to the desired tile height and pack it into place with bedding mix
2. Screed and tile using the Wondercap as a reference point/gradient
3. Apply grout and remove the cap from the base



4. Install the grate and secure with grout



## ATTENTION!

If the grate sits below the final tile height, a spacer ring can be cut from the cap and positioned under the grate.



# [www.wondercap.biz](http://www.wondercap.biz) to view our demonstration video

Dear Customer,

Thank you for purchasing this Wondercap Product.

This product has passed through our extensive quality assurance process to ensure it reaches you in perfect condition. However, in the unlikely event that you should experience a problem, or should you require any assistance, please do not hesitate to contact us.

**Please retain your purchase receipt as proof of purchase.**

The Wondercap Company Pty Ltd warrants that this product is free from manufacturing faults or defects for 12 months from the date of purchase, provided the original purchasing receipt is retained.

#### **How to claim:**

To claim the warranty on this product, phone Wondercap Customer Service on 1300 308 205 and ensure you have:

- Original Purchase Receipt
- Wondercap Model Number
- Batch code found on the underside of the packaging

A Wondercap Customer Service representative will help you finalize your warranty claim.

Our goods come with guarantees that cannot be excluded under Australian Consumer Law. You are entitled to a replacement or refund for a major failure and for compensation for any other reasonably foreseeable loss or damage. You are also entitled to have the goods repaired or replaced if the goods fail to be of acceptable quality and the failure does not amount to a major failure.

Made in Australia by:

**THE WONDERCAP COMPANY** PTY LTD.

PO BOX 130 ASHMORE CITY QLD AUSTRALIA 4214

Phone: 1300 308 205 Fax: 1300 780 205

Email: [info@wondercap.biz](mailto:info@wondercap.biz)

Web: [www.wondercap.biz](http://www.wondercap.biz)

Please note: The installation manual is to be used as a guide only. Please ensure all work conforms to National and Local Council rules and regulations.